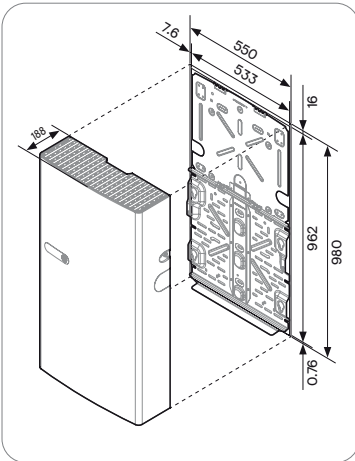




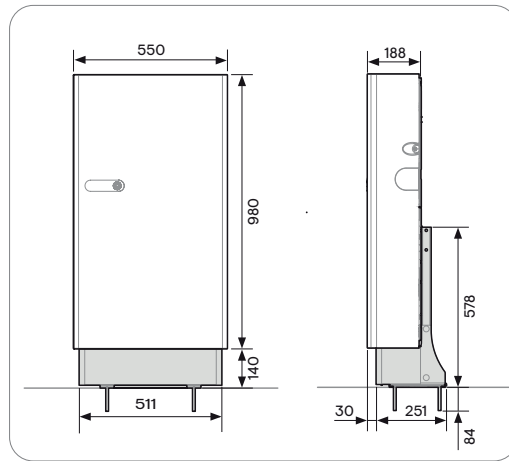
# IQ Battery 5P

The IQ Battery 5P all-in-one AC-coupled system is powerful, reliable, simple, and safe. It has a total usable energy capacity of 5.0 kWh and includes six embedded grid-forming microinverters with a 3.84 kVA continuous power rating. It provides backup capability, and installers can quickly design the right system size to meet customer needs.

Dimensions in mm



Wall-mounted



Floor-mounted with pedestal

### Powerful

- Provides 3.84 kVA continuous and 7.68 kVA peak power
- Includes six embedded IQ8D-BAT Microinverters

### Reliable

- 15-year limited warranty
- Cools passively with no moving parts or fans
- Uses wired communication for fast and consistent connection
- Updates software and firmware remotely

### Simple

- Fully integrated AC battery system
- Installs and commissions easily
- Supports Backup, Self-Consumption, and time-of-use (TOU) modes
- Offers homeowners remote monitoring and control from the Enphase App
- Field replaceable components

### Safe

- Tested to meet UL 9540A, the highest industry standard for battery safety
- Uses lithium iron phosphate (LFP) chemistry for maximum safety and longevity



# IQ Battery 5P

MODEL NUMBER	
IQBATTERY-5P-1P-ROW	The IQ Battery 5P system with integrated IQ Microinverters and battery management system (BMS) with battery controller
WHAT'S IN THE BOX	
IQ Battery 5P unit	IQ Battery 5P unit (B05-T02-ROW00-1-2)
ID cover and conduit cover	IQ Battery 5P cover with two conduit covers for the left and right sides of the unit
Bottom mounting bracket and top shield	Bottom mounting bracket for mounting the battery on the wall and one top shield
M5 seismic screws	Two M5 seismic screws for securing the battery unit on the bottom mounting bracket
M4 grounding screws	Two M4 grounding screws for securing the top shield on the bottom mounting bracket
M5 ID cover grounding screws	Two M5 ID cover grounding screws for the EMI/EMC
Cable ties	Six cable ties for securing field cables to the unit
Control (CTRL) connector	Spare CTRL connector without resistor for CTRL wiring
Control (CTRL) connector with resistor	Spare CTRL connector with resistor for CTRL wiring
Quick install guide (QIG)	QIG for IQ Battery unit installation instructions
ACCESSORIES AND REPLACEMENT PARTS	
IQ8D-BAT-RMA	IQ8D-BAT Microinverter for field replacement
B05-T02-ROW00-1-2-RMA	IQ Battery 5P Battery unit for field replacement
B05-CX-0550-O	IQ Battery 5P cover for field replacement
B05-PM-0550-O	IQ Battery 5P pedestal mount
B05-CP-096-O	IQ Battery 5P conduit plates for field replacement. Includes one left-side and one right-side conduit plate
B05-WB-0543-O	IQ Battery 5P wall bracket for field replacement. Includes one bottom mounting bracket and one top shield
IQBATTERY-HNDL-5	IQ Battery 5P lifting handles. Includes one left-side and one right-side lifting handle
B05-ACFB-080-O	IQ Battery 5P AC filter board for field replacement
B05-BMSRA-0490-O	IQ Battery 5P BMS board for field replacement
B05-CANBR-063-O	IQ Battery 5P control communication board for field replacement
B05-RICS-0524-O, B05-RUCS-0524-O	IQ Battery 5P control switch is preinstalled on the wiring cover for field replacement
OUTPUT [AC]	
	@ 230 VAC <sup>1</sup>
Rated output apparent power	3.84 kVA
Peak output power	7.68 kVA (3 seconds), 6.14 kVA (10 seconds)
Nominal voltage/Range	230 VAC/211–264 VAC
Nominal frequency/Range	50 Hz/47–53 Hz
Rated output current	16.7 A
Peak output current	33.4 A (3 seconds), 26.7 A (10 seconds)
Power factor (grid-tied)	0.8 leading ... 0.8 lagging
Power factor (off-grid)	1.0 leading ... 1.0 lagging
Maximum short-circuit current	32 A <sub>rms</sub> 3 cycles
Peak short-circuit current	488 A <sub>rms</sub> for 12 μs
Maximum output overcurrent protection	20 A per unit
Inverter topology	Isolated (HF transformer)
Interconnection	Single-phase
Protection class	I
Overvoltage category	III
AC round-trip efficiency <sup>2</sup>	90%

1. Supported in both grid-connected and backup/off-grid operations.

2. AC to the battery to AC at 50% power rating at 25°C.

**BATTERY**

Usable capacity <sup>3</sup>	5.0 kWh
DC round-trip efficiency	96%
Nominal DC voltage	76.8 V
Ambient operating temperature (charging)	-20°C to 50°C non-condensing
Ambient operating temperature (discharging)	-20°C to 55°C non-condensing
Optimum operating temperature range	0°C to 30°C
Chemistry	Lithium iron phosphate (LFP)

**MECHANICAL DATA**

Dimensions (H x W x D)	980 mm x 550 mm x 188 mm
Lifting weight	66.3 kg
Total installed weight	78.9 kg
Enclosure	Outdoor-IP55
IQ8D-BAT Microinverter enclosure	Outdoor-IP67
Cooling	Natural convection
Altitude	Up to 2,000 m
Mounting	Wall-mount or pedestal-mount (sold separately)

**FEATURES AND COMPLIANCE**

Compatibility	Compatible with IQ Series and S Series Microinverters. The IQ System Controller 3 INT is required for grid-tied and backup operation.
Communication	Wired control communication
Services	Backup, Self-Consumption, and TOU
Monitoring	Enphase Installer Portal and Enphase App monitoring options; API integration
Compliance	Performance: AS/NZS 4777.2:2020 + A1 Safety: AS IEC 62040.1, EN IEC 62109-1, EN IEC 62109-2, AS IEC 62619, UN 38.3 EMC: EN 50065-2-2, IEC 61000-3-2, IEC 61000-3-3, IEC 61000-4-2, IEC 61000-4-3, IEC 61000-4-4, IEC 61000-4-5, IEC 61000-4-11, IEC 61000-6-2

**LIMITED WARRANTY**

Limited warranty	>60% capacity, up to 15 years or 6,000 cycles <sup>4</sup>
------------------	--

3. Usable capacity is the maximum kWh of discharge capacity from the battery across all system operating modes.

Reserved capacity is the partial battery capacity reserved for off-grid usage, and is not available while the system is grid-connected. It is a user-settable value and can be set via the Enphase App.

Very low state-of-charge (VLS) is the battery shutdown level or the capacity at which the battery stops operating. It is a user-settable value that can be set via the capacity of the battery below the VLS level is used to automatically restart during daylight hours to recharge the batteries with solar power.

4. Whichever occurs first. Restrictions apply.

**Manufacturer**

Enphase Energy Inc., 47281 Bayside Pkwy.,  
Fremont, CA, 94538,  
United States of America  
PH: +1 (707) 763-4784

**Importer**

Enphase Energy Aust.  
Pty/Ltd., 88 Market St.,  
South Melbourne VIC 3205.  
PH: +61 3 86691679

Assembled in China

IQB-5P-DSH-00020-3.0-EN-ANZ-2024-03-04

# Revision history

REVISION	DATE	DESCRIPTION
DSH-00020-3.0	March 2024	Editorial updates.
DSH-00020-2.0	October 2023	<ul style="list-style-type: none"><li>• Added battery isometric view on the first page.</li><li>• Editorial updates.</li></ul>
DSH-00020-1.0	May 2023	Initial release.